

Solar Street Light - 4800Lm - 40W



Patented design, slim and modern with durable performance.



SMD2835 chips with high lumen output and excellent working time with a 12.8V/6000mAh LiFePO4 battery.



A 5° tilt design to obtain maximum solar energy. It is also helpful for solar panel cleaning and water drainage on rainy days.



Installation options: 1. Wall mounted.
2. Straight pole installation.
3. Curved pole installation.



MPPT design, enhance charging and lighting efficiency.



Easily adjustable for the optimal angle for solar charging. The lamp can be adjusted 20° upward and 10° downward.



Professional optical lens with a 140°x70° beam angle for a wide lighting area, and more efficient brightness.



High-quality mono-crystalline silicon solar panel for optimal solar power to electricity conversion. Tempered glass for a long lifespan.



Induction sensor designed with a wide angle for long distance detection.

40W

Power

IP65

Waterproof

4800

Lumens

3 Years

Warranty (Battery - 3 Year)

140°X70°

Beam Angle

8-10 Hours

Solar charging time

Specifications

▶ **Product Model**

LD-SSL-40WPlus-Pro

▶ **Power**

40W

▶ **Solar Panel**

Mono-crystalline silicon (20W/16.5Wp)

▶ **Charging Time**

8-10 Hours to fully charged under strong sunshine

▶ **LED Type**

SMD 2835*90pcs

▶ **Product Colour**

Black

▶ **IP Class**

IP 65

▶ **Housing Material**

ABS+PC and Aluminum material, anti-UV

▶ **Installation Height**

3-6 Meters

▶ **LiFePO4 battery**

32700/12.8V/6000mAh/76.8Wh Replaceable

▶ **Working Time**

Various working modes available by means of remote control

▶ **PIR Sensor Range**

Detection angle: 120° Detection area: 8-12 Meters

▶ **Beam Angle**

140°x70° - Type III

▶ **Working Temperature**

-20°C - 60°C

▶ **Warranty**

3 years

▶ **Package**

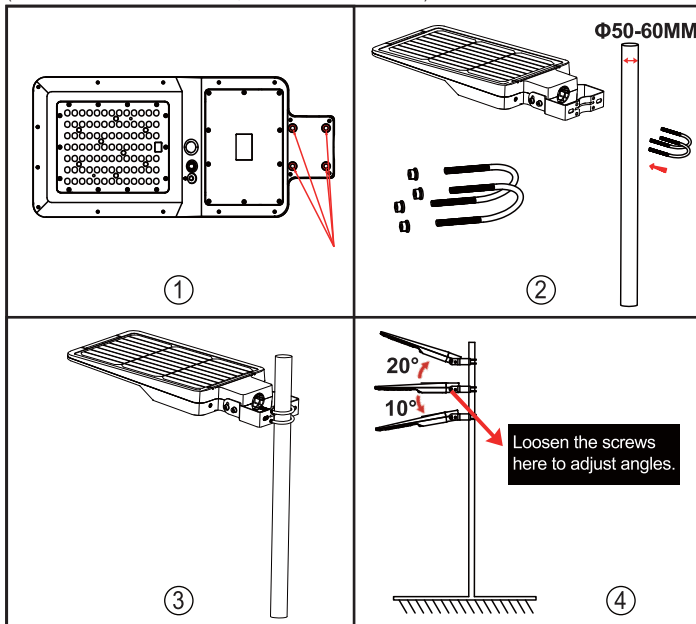
1 x Solar Light, 1 x User Manual, 1 x Remote Control,
1 x Tool, 2 x U-Shaped brackets
for straight pole installation



3 Different Installations

Installation A: Straight Pole

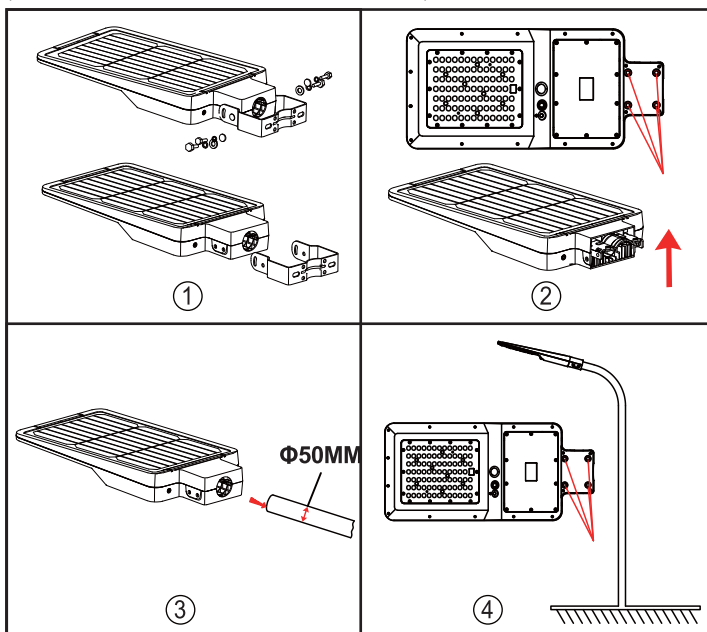
(Default installation method, accessories included)



- ① Before installation, make sure the 4 bottom screws are tightened.
- ② Remove the gaskets of small U-shaped brackets, then insert them to lamp bracket across the straight pole.
- ③ Tighten the screws to fix lamp onto the pole (applicable to the poles of $\Phi 50-60\text{mm}$).
- ④ If any need, please loosen the screws at both sides of lamp to adjust the lamp angle, which is upward 20° and downward 10° adjustable, then tighten the screws of the lamp.

Installation B: Curved Pole

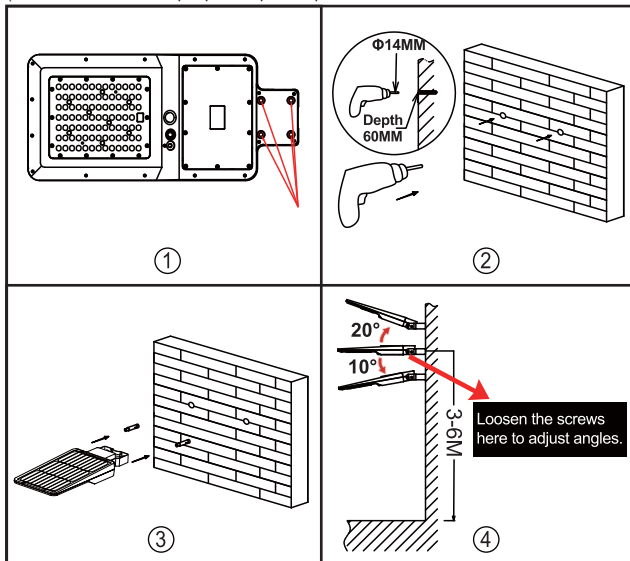
(Default installation method, accessories included)



- ① Loosen the screws and remove the big U-shaped bracket.
- ② Loosen the bottom screws to match the pole.
- ③ Install the lamp on the pole (applicable to the poles of $\Phi 50\text{mm}$).
- ④ Adjust the lamp and balance it, tighten the four screws to lock the lamp.

Installation C: Wall Mounted (Optional)

(Customers need to prepare 2pcs expansion screws M10*60mm themselves.)



- ① Before installation, make sure the 4 bottom screws are tightened.
- ② Drill 2 holes of $\Phi 14\text{mm}$ with a depth of 60mm and holes distance 104mm on the wall.
- ③ Use 2 expansion screws to fix the lamp on the wall.
- ④ If any need, please loosen the screws at both sides of lamp to adjust the lamp angle, which is upward 20° and downward 10° adjustable, then tighten the screws of the lamp.

Working Mode

Smart Button:



Button Control:

Press the button on the lamp to select a working mode.

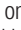
- Press 1st time for Mode A ;
- Press 2nd time for Mode B ;
- Press 3rd time for off.

Remote Control:

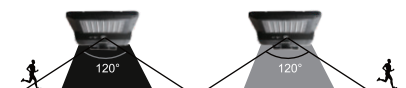
Please press the button on the lamp firstly to activate the lamp, then use remote control to adjust demanded working mode.

Mode A: Constant Lighting Mode



Press the On/Off button on the lamp first or  on the remote control. The lamp will automatically turn on at night and keep a 60% brightness for 4 hours. After 4 hours the lamp will turn to sensor mode.

Mode B: Sensor Mode



Press the button on the lamp a 2nd time or  on the remote control. The lamp will automatically turn on with 100% full brightness when motion is detected in the range of $<12\text{m}$. The light will turn to 30% brightness in 20 seconds of no motion.